



Sew Magical™ House

For ages 4+

WARNING:
CHOKING HAZARD-Small parts.
Not for children under 3 years.

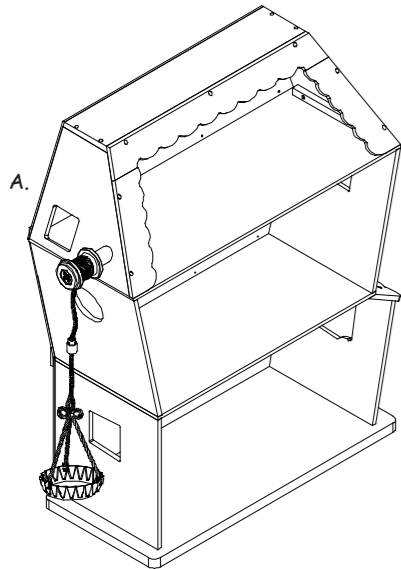
514046

ADULT ASSEMBLY REQUIRED

CONTENTS

A. 1 Lalaloopsy™ Wooden Doll House

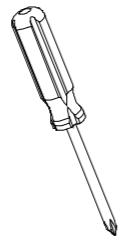
B. 1 Sticker Sheet



Illustrations are for reference only. Styles may vary from actual contents.









WARNING:
ADULT ASSEMBLY REQUIRED. PRIOR TO ASSEMBLY, THIS PACKAGE CONTAINS SMALL PARTS: HARDWARE, WHICH IS A CHOKING HAZARD AND MAY CONTAIN SHARP EDGES AND SHARP POINTS. KEEP AWAY FROM CHILDREN UNTIL ASSEMBLED.

Hardware List

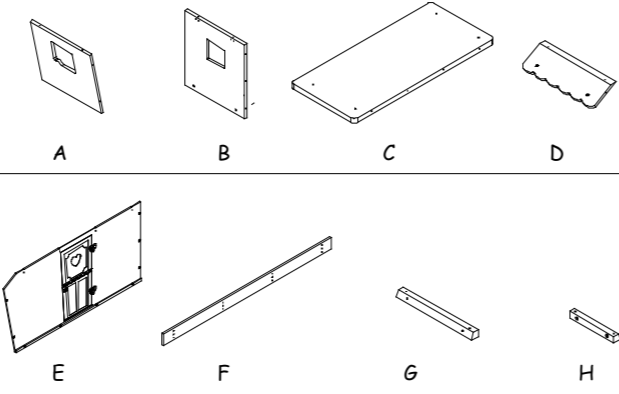


Phillip's Screwdriver (not included)

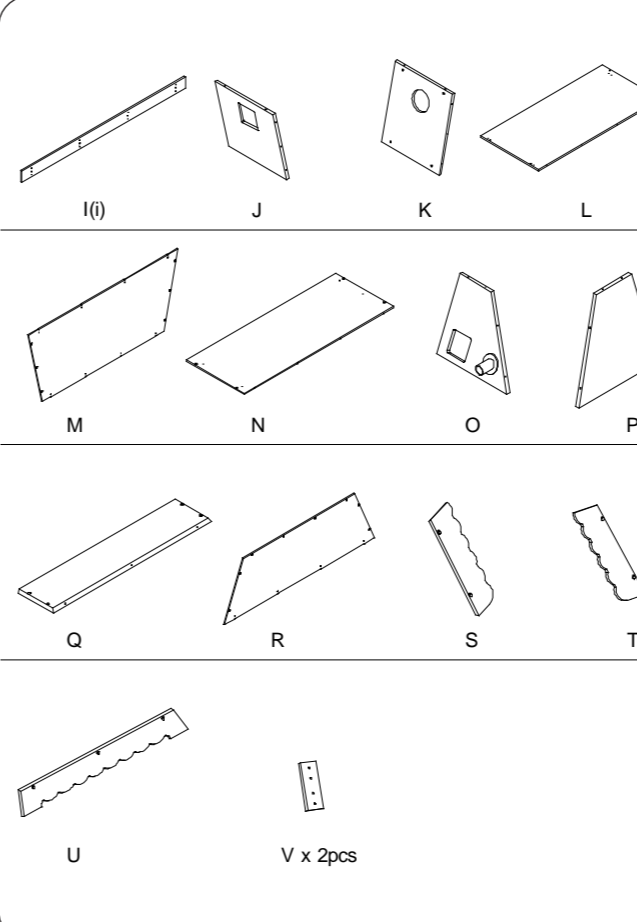
NOTE: DO NOT use a power screwdriver for assembly as it may irreparably damage wooden pieces.

 ① x 27pcs dia 4 x 25mm	 ② x 28pcs dia 4 x 20mm	 ③ x 24pcs dia 4 x 10mm	 ④ x 8pcs dia 3 x 15mm
 ⑤ x 12pcs dia 4.5 x 40mm	 ⑥ x 2pcs Wood dowels	 ⑦ x 2pcs Plastic connector	 ⑧ x 1pc dia 3 x 10mm

Wood pieces

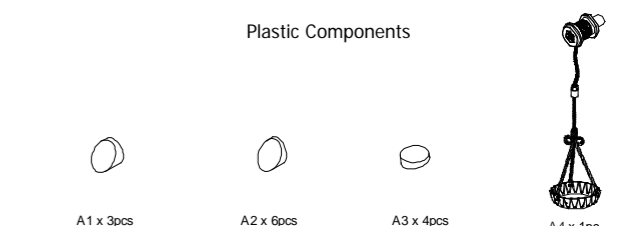


A B C D
E F G H




I(i) J K L
M N O P
Q R S T
U V x 2pcs

Plastic Components



A1 x 3pcs A2 x 6pcs A3 x 4pcs A4 x 1pc

Adhesive Color Labels

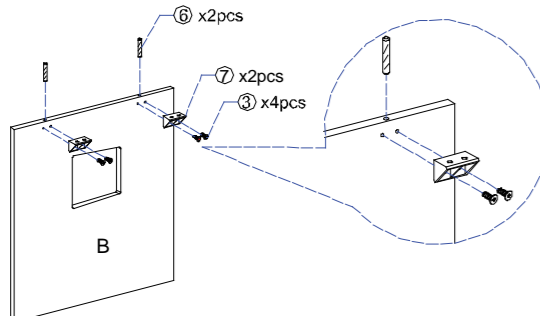


C1 x 6pcs Purple
C2 x 2pcs Light blue
C3 x 21pcs Pink
C4 x 4pcs Yellow
C5 x 16pcs Orange
C6 x 4pcs White
C7 x 4pcs Green

BEFORE ASSEMBLY

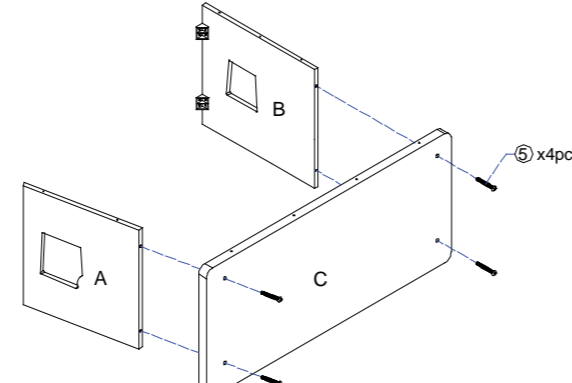
- Remove and discard the plastic dome on component A4.
- Lay out all parts and compare to the contents list on page 1.
- Leave all screws and adhesive dots in their lettered box for easy identification during assembly.
- Do not remove lettered stickers from wooden components until house is totally assembled.
- See additional safety information on last page of this manual.

1



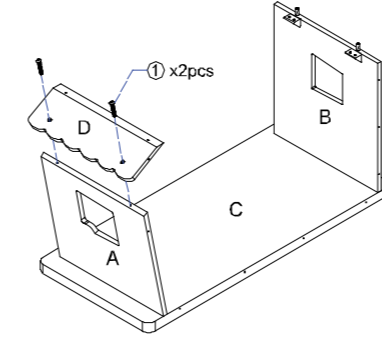
⑥ x2pcs
⑦ x2pcs
③ x4pcs

2



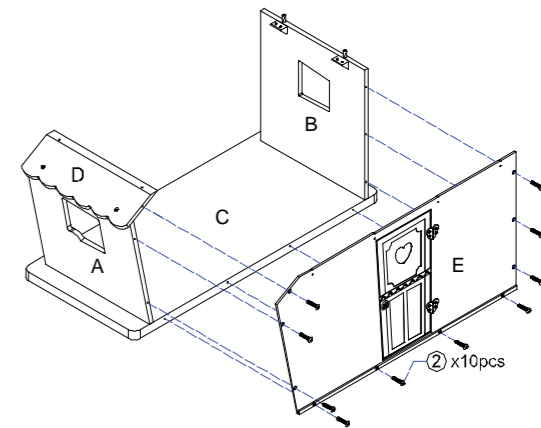
⑤ x4pcs

3



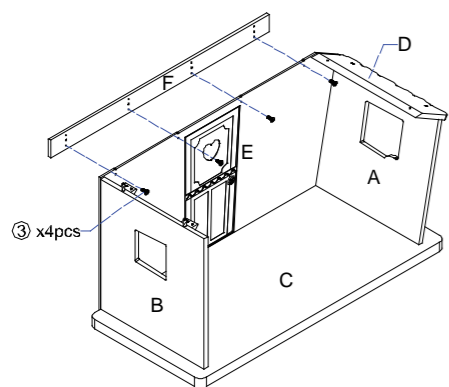
① x2pcs

4

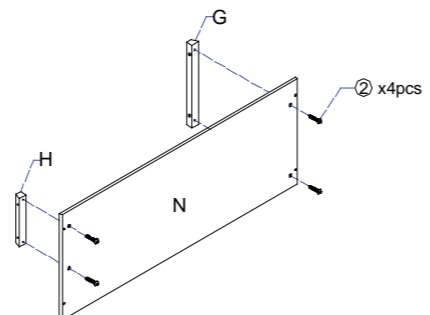


② x10pcs

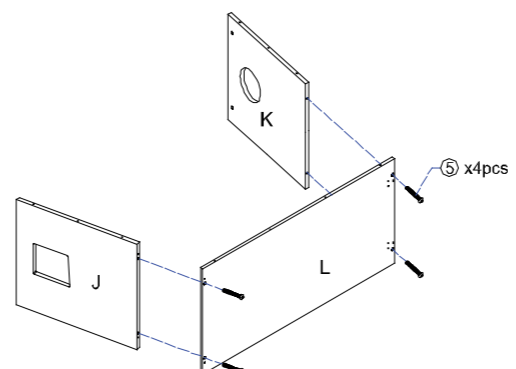
5



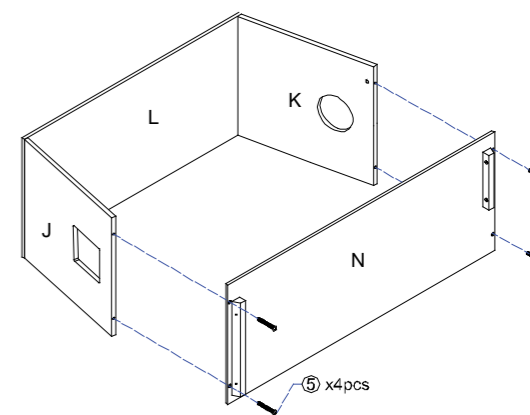
6



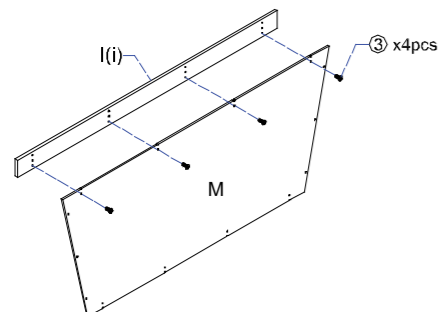
7



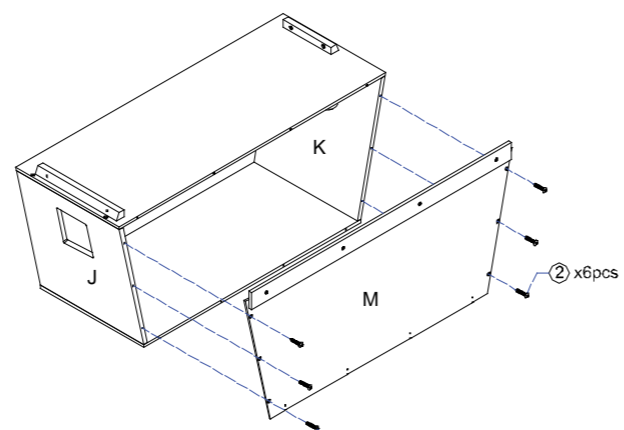
8



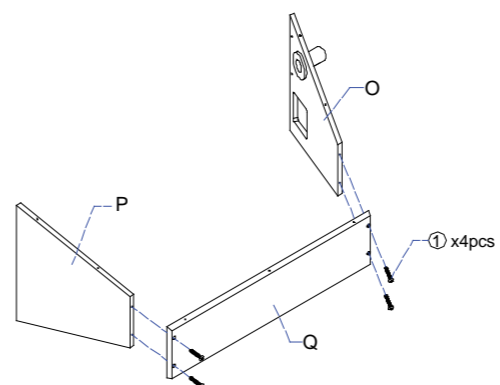
9



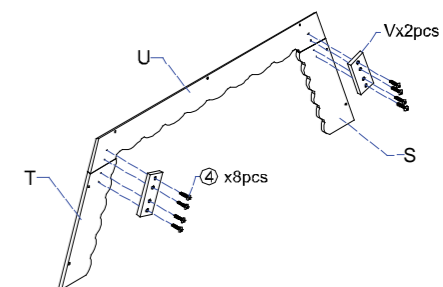
10



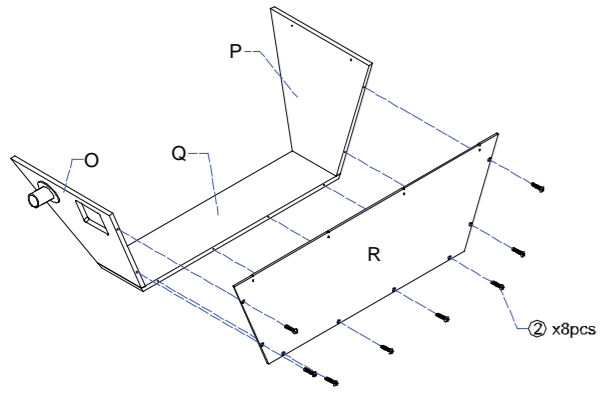
11



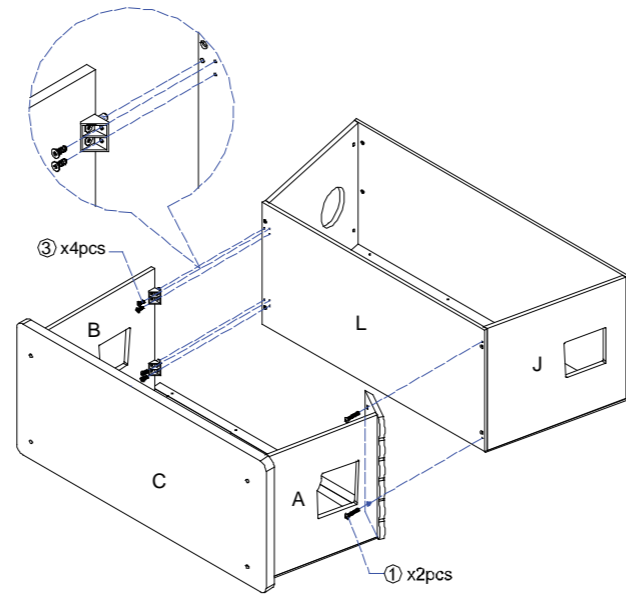
12



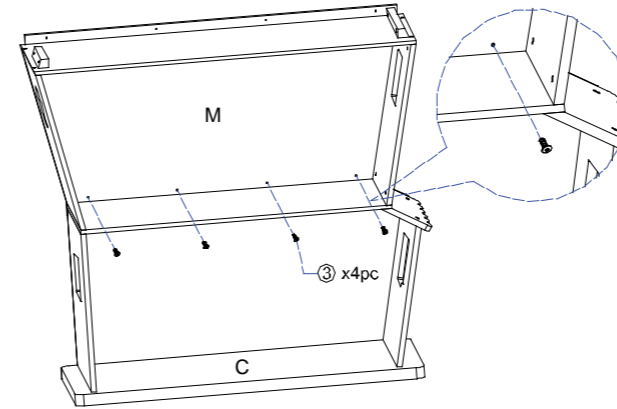
13



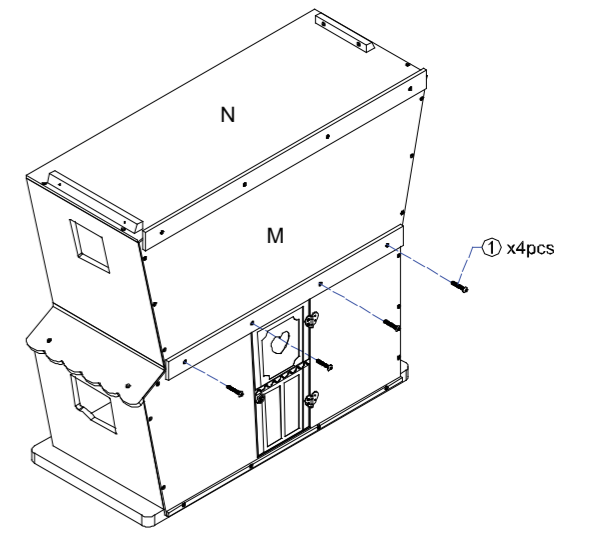
14



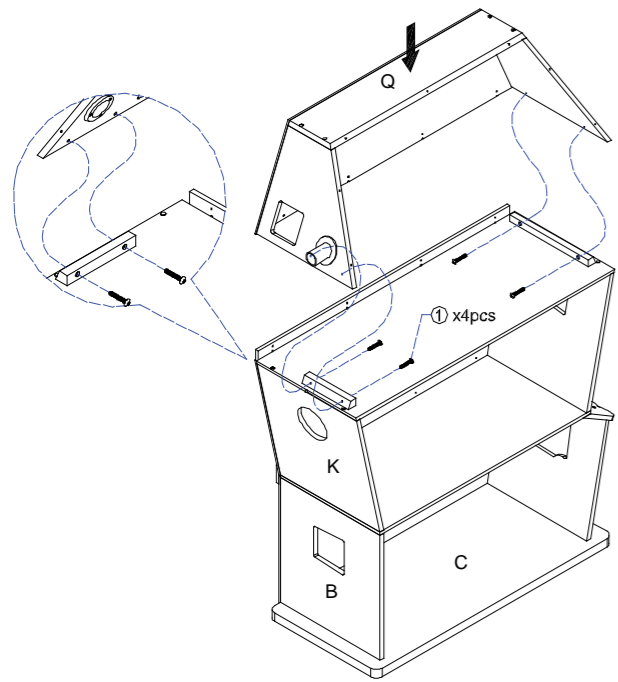
15



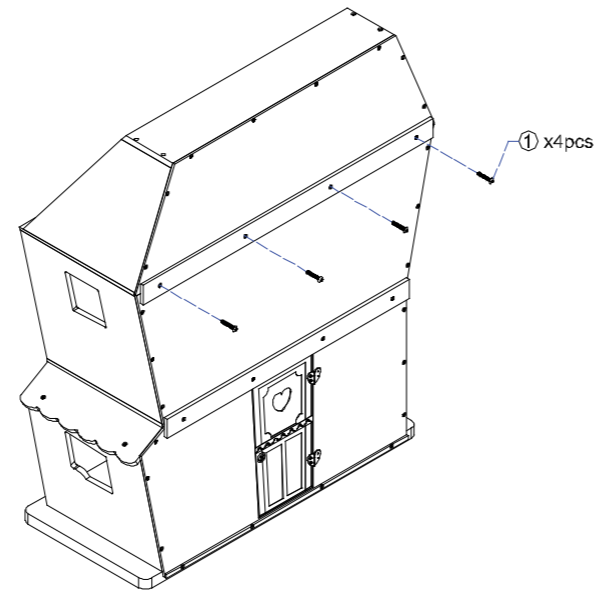
16



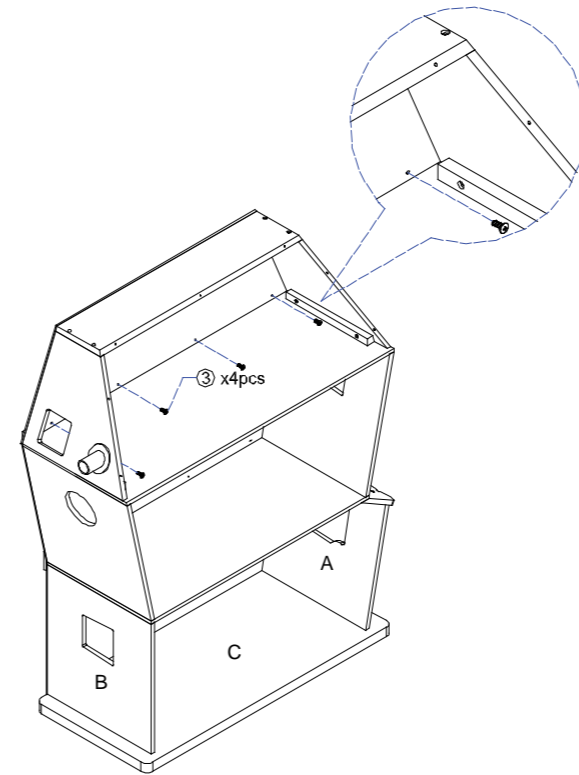
17



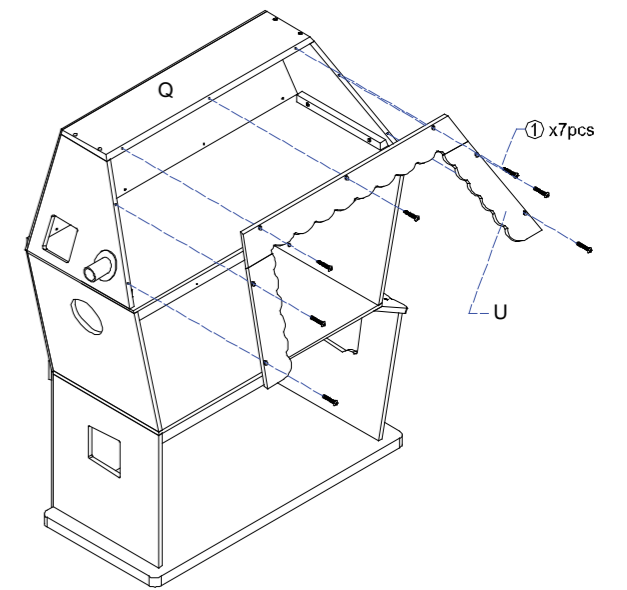
18



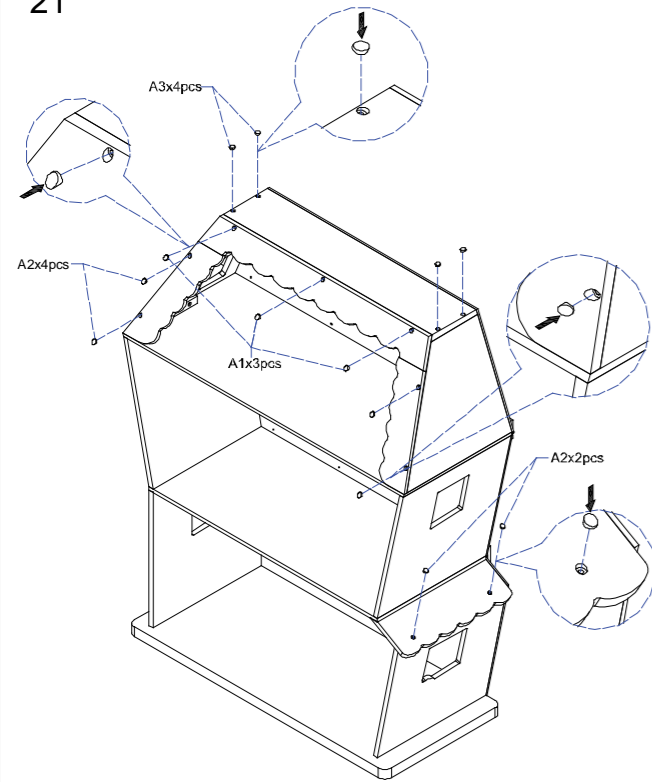
19



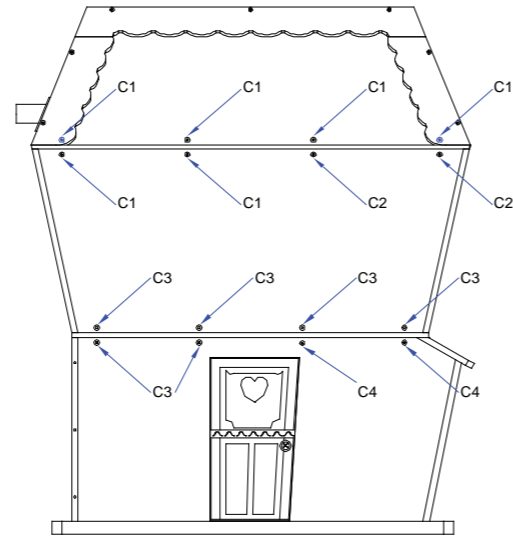
20



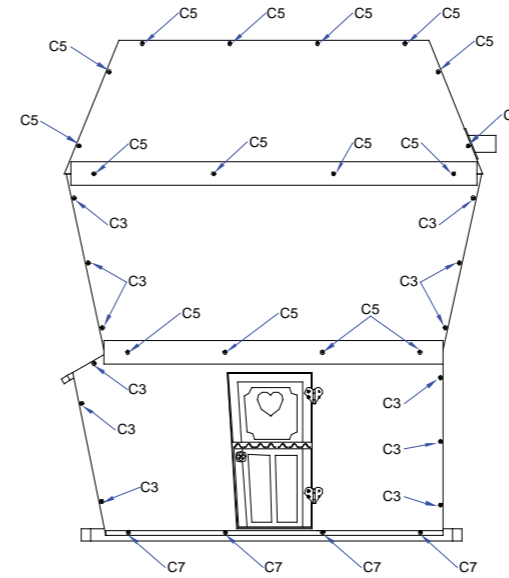
21



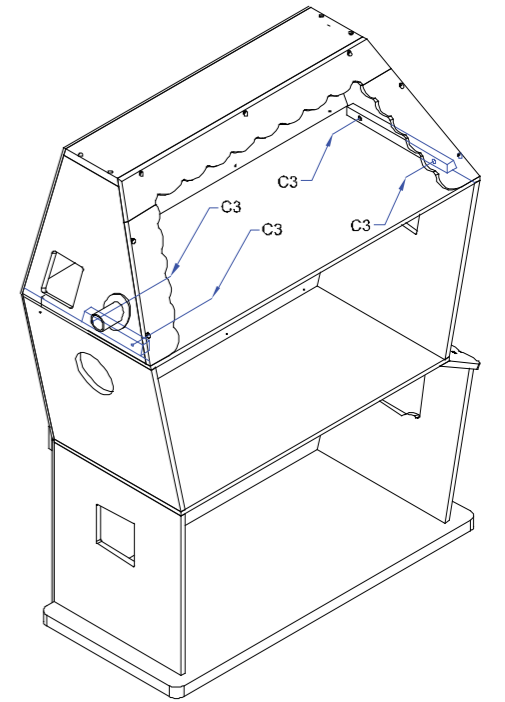
22



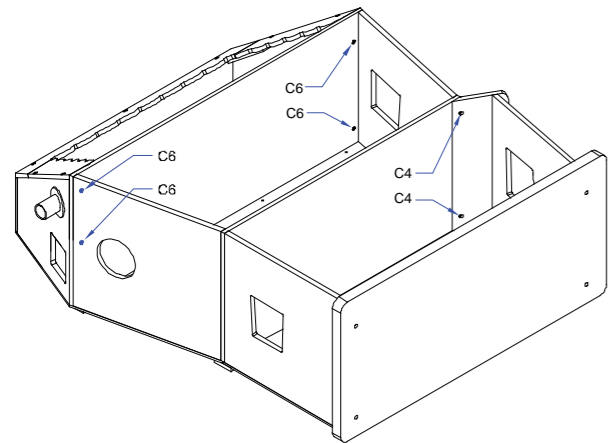
23



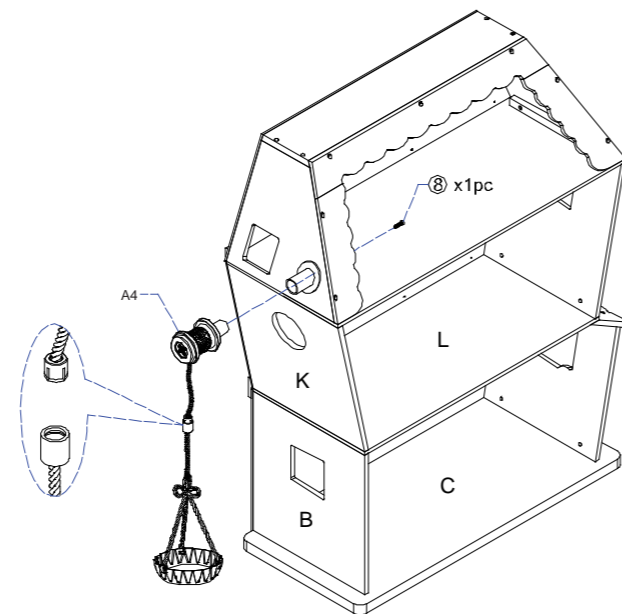
24



25



26



STICKER APPLICATION

- Peel Sticker from backing, place it on desired area and smooth it down with a soft cloth to ensure all air bubbles are removed.
- ⚠ **CAUTION** - Do not use Stickers on humans, pets, furniture or any item which may be damaged by Sticker or Sticker removal.

IMPORTANT SAFETY INFORMATION

⚠ WARNING

- PLACE ASSEMBLED HOUSE ON A FLAT, LEVEL SURFACE OUT OF THE WAY OF HOUSEHOLD TRAFFIC.
- DO NOT place house on an uneven surface, on the edge of a table, or anywhere which might offer the possibility of tipping.
- DO NOT sit, stand, or jump on the house as doing so may result in bodily injury and/or damage to the house.
- DO NOT subject house to outdoor weather conditions or to moisture of any kind as damage may result.
- DO NOT place heavy objects inside the house.
- DO NOT place pets inside the house. House is for dolls only.

Please keep this manual as it contains important information.



0412-0-E/INT

www.lalaloopsy.com
 © MGA Entertainment, Inc.
 LALALOOPSY™ and MINI
 LALALOOPSY™ are trademarks
 of MGA in the U.S. and other
 countries. All logos, names,
 characters, likenesses, images,
 slogans, and packaging appearance
 are the property of MGA.
 16300 Roscoe Blvd.
 Van Nuys, CA 91406 U.S.A.
 (800) 222-4685

MGA Entertainment UK Ltd.
 50 Presley Way
 Crownhill, Milton Keynes
 MK8 0ES, Bucks, UK
 + 0800 521 558
 Printed in China

The preferred method of contact for
 Customer Service is through our e-mail
 contact form at www.mgae.com